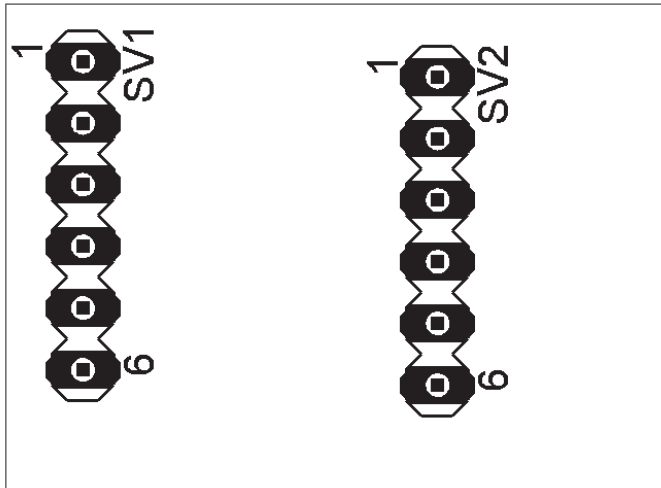
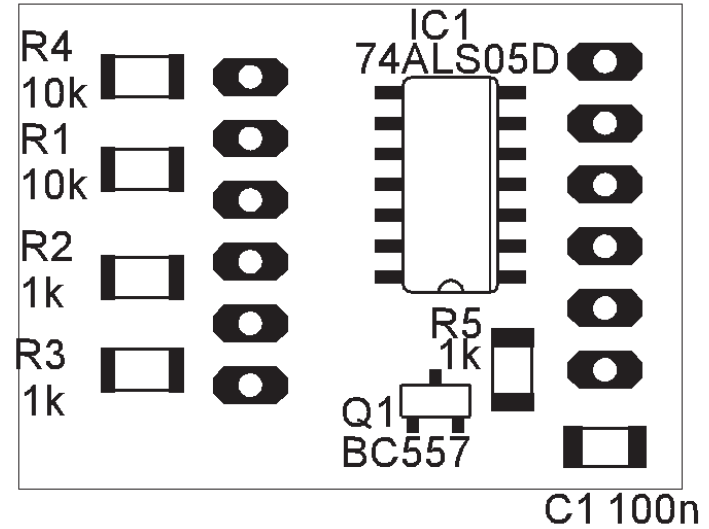


Assembly Plan

Component Side



Solder Side



PIC Programmer
Cable, V1.0
(c) Christian Stadler

Christian Stadler
picpgm_cable
26.06.2004 11:26:06
Sheet: 1/1